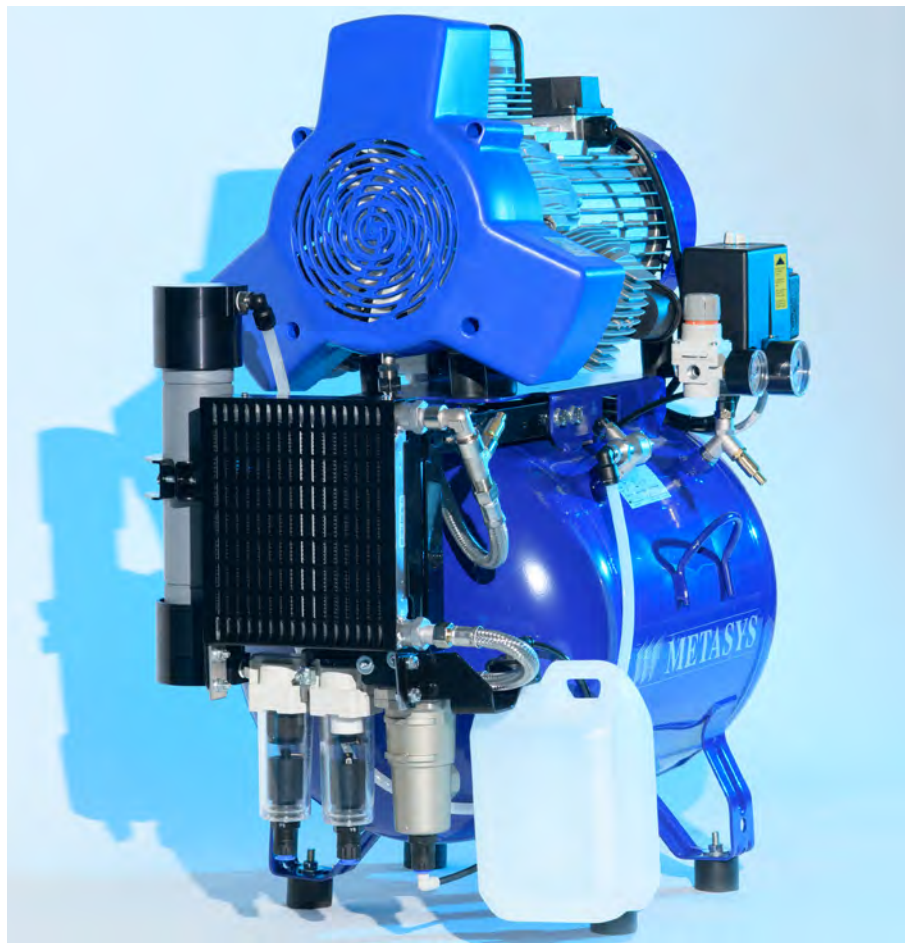


# DENTAL COMPRESSORS

META Air  
META Air Light  
META CAM  
Accessories



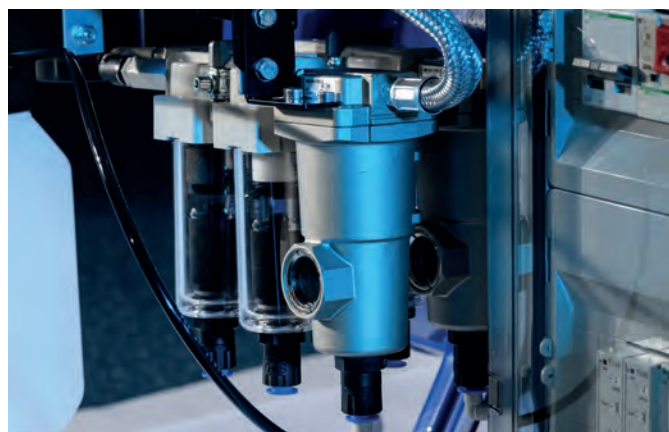
with membrane dryer  
with thermal protection  
with hour meter

# RELIABLE SOLUTIONS FOR THE DENTAL PRACTICE

Compressed air used in dental practices must comply with highest sanitary and medical standards. This is why all METASYS compressors work absolutely oil-free and are equipped with an integrated filter and dryer system (except Light models).

## How do the standard and light versions differ?

	Light version	Standard version
Prefilter	✓	✓
Microfilter	-	✓
Dryer	-	✓



## Convincing details and sophisticated technology



### Filtration system

Double filtration system with a rating of 0.01  $\mu\text{m}$

### Membrane dryer

Powerful drying system for absolutely dry air

### Compressor technology

Low noise operation and maximum pressure up to 10 bar

### Air tank

Antibacterial inner tank powder coating to prevent corrosion

### Operating hours meter

To ensure the exact definition of maintenance intervals

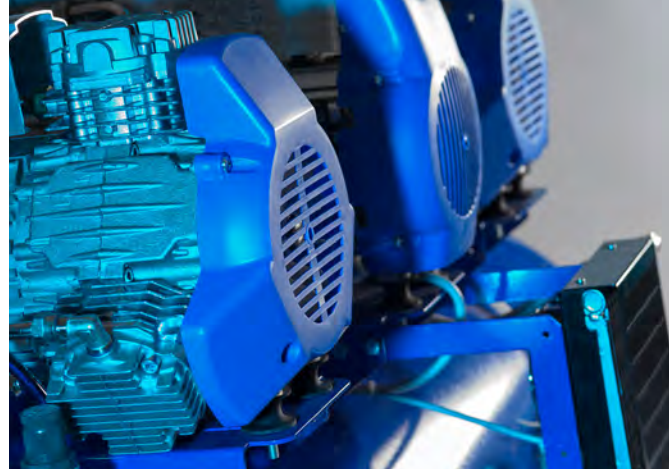
### Thermal protection

Double, amperometric and temperature control, for optimal safety

# FOR A SMOOTH RUNNING PRACTICE

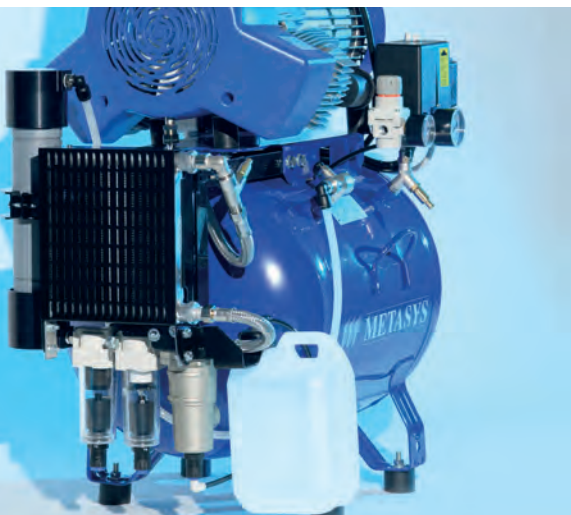
## 1 Value conservation for compressed air operated instruments and equipment

Moisture in the dental compressed air impairs the adhesion and therefore their durability. In addition, the moist environment offers optimum habitat for microorganisms. Dry compressed air prevents the formation of biofilm in the tubes as well as corrosion on the compressor and operated instruments. METASYS compressors are equipped with a powerful membrane filter system. Moisture in the dental compressed air is therefore effectively prevented, even under the most difficult climate conditions. The membrane dryers are maintenance-free.



## 2 Best treatment results through hygienic compressed air

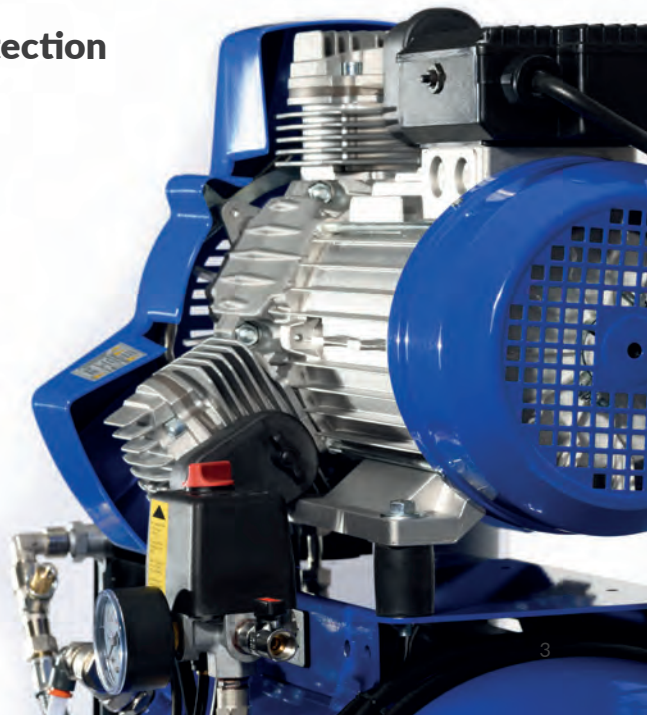
Oil-operated compressors are not suitable for use in dental practices: Even the smallest traces of oil in the compressed air pose a negative influence on the durability of filling material on the tooth substance. At the same time, lubricating oil causes deposits in the air supply lines. They cause loss of power and premature wear and tear of compressors and compressed air operated instruments. METASYS compressors work absolutely free of oil and therefore ensure optimum, long-term treatment results.



## 3 Optimum sanitary conditions for the protection of patient and treatment team

During the dental treatment, compressed air comes in contact with open wounds. At the same time, the use of compressed air causes an aerosol cloud, which poses a significant risk of infection for the dental staff and patients. A hygienic preparation of dental compressed air is therefore imperative. METASYS compressors are equipped with a double filtration system with a rating of 0,01  $\mu\text{m}$ .\* It ensures odour-free compressed air and optimum protection from infection. To assure continuous sanitary conditions, the filters are replaced during maintenance.

In accordance with the compressed air requirements of ISO 8573\_1:2010.



# HIGHEST QUALITY IN ALL DETAILS

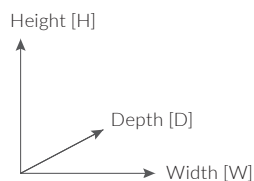
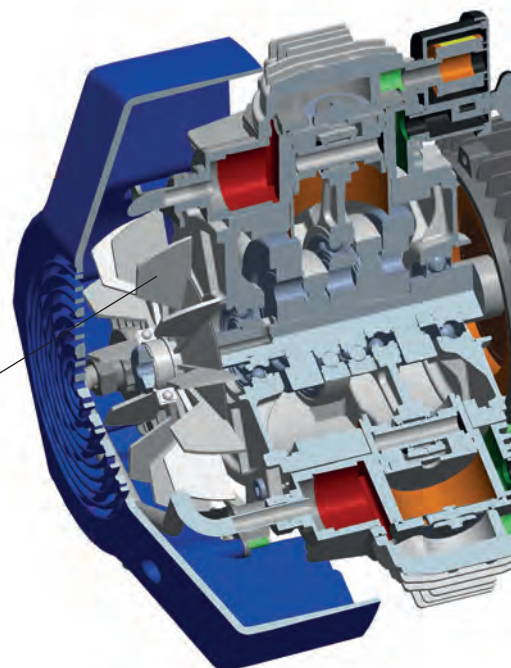
## High-quality components for the toughest applications

The use of high-tech components in the electrical motors brings about a high degree of efficiency and a consistent operational motor performance. Heat-resistant ball bearings allow for smooth operation and increase the service life of the entire unit.

## Patented intake system

The intake air stream is channelled through a labyrinth of compressor components. Not only does this cool down the motor and the components, it also lowers the suction noise level.

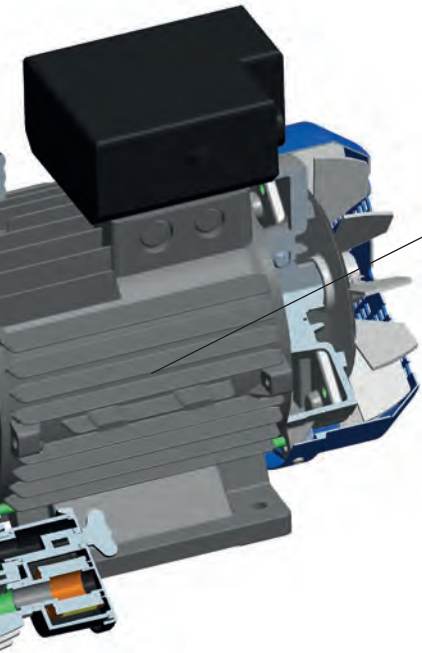
In addition, numerous specially designed cooling fins on the outside of the unit allow for optimised heat dissipation.



	META Air 24s Light	META Air 24 Light	META Air 30	META Air 30 Light
Order no.	106000005	106000005	106000007	106000009
Power supply (V AC)	230 V	230 V	230 V	230 V
Frequency	50 Hz*	50 Hz*	50 Hz*	50 Hz*
Electric motor power	0,55 kW	1,1 kW	1,1 kW	1,1 kW
Delivery rate (5 bar) (5 bar)	77 l/min	135 l/min	120 l/min	135 l/min
Operating time	≤ 50 %	≤ 50 %	≤ 50 %	≤ 50 %
Tank capacity	24 l	24 l	40 l	40 l
Pressure range	5-7 bar	5-7 bar	5-7 bar	5-7 bar
Sound level	65 dB(A)	65 dB(A)	65 dB(A)	65 dB(A)
Sound level with cover	52 dB(A)	52 dB(A)	-	-
Dimensions (H x W x D)	550 x 400 x 400 mm	600 x 430 x 400 mm	770 x 710 x 410 mm	770 x 600 x 410 mm
Dimensions with cover (H x W x D)	800 x 530 x 500 mm	800 x 530 x 500 mm	-	-
Weight	28 kg	29 kg	38 kg	42 kg
Weight with cover	44 kg	45 kg	-	-
Order no with cover	120000357	120000357	-	-

\* available also with 60 Hz

# THE HIGHEST LEVEL OF TECHNOLOGY



## Optimised compression process

The latest generation of META Air compressors will win you over thanks to a new technical feature: Each cylinder is equipped with its own air filter. This improves the intake air filtration process meaning there is sufficient air volume for compression at all times.



The motor is the core of any compressor. The perfect interplay of electrical motor and compression technology guarantees the highest level of performance in everyday use. The use of high-quality components guarantees the highest level of reliability in the toughest applications. METASYS compressors meet these customer requirements in any given situation.



META Air 150	META Air 150 Light	META Air 250	META Air 250 Light
106000011	106000015	106000019   106000022	106000024
230 V	230 V	230 V   400 V	230 V   400 V
50 Hz*	50 Hz*	50 Hz*	50 Hz*
1,5 kW	1,5 kW	2,2 kW	2,2 kW
152 l/min	170 l/min	225 l/min	250 l/min
≤ 70 %	≤ 80 %	≤ 70 %	≤ 80 %
40 l	40 l	40 l	40 l
5-7 bar	5-7 bar	5-7 bar	5-7 bar
66 dB(A)	66 dB(A)	66 dB(A)	66 dB(A)
53 dB(A)	53 dB(A)	53 dB(A)	53 dB(A)
770 x 710 x 410 mm	770 x 600 x 410 mm	810 x 710 x 410 mm	810 x 600 x 410 mm
890 x 720 x 490 mm	890 x 720 x 490 mm	890 x 490 x 720 mm	890 x 490 x 720 mm
50 kg	46 kg	58 kg	54 kg
98 kg	94 kg	106 kg	102 kg
106000012	106000016	106000020   106000023	106000025

# COMPRESSORS FOR LARGE DENTAL PRACTICES

Due to the increased air volume requirement, large practices and dental laboratories require powerful compressors with a high compressed air output. The tank capacity of these high-performance compressors has been calculated accordingly and also allows you to work without any interruptions.

The META Air 450, 650 and 900 compressors by METASYS meet these requirements to the highest degree.



	META Air 450	META Air 450 Light	META Air 650	META Air 650 Light
Order no.	106000030	106000034	106000036	106000038
Power supply (V AC)	400 V	400 V	400 V	400 V
Frequency	50 Hz*	50 Hz*	50 Hz*	50 Hz*
Electric motor power	4,4 kW	4,4 kW	6,6 kW	6,6 kW
Delivery rate (5 bar) (5 bar)	450 l/min	500 l/min	660 l/min	750 l/min
Operating time	≤ 70 %	≤ 80 %	≤ 70 %	≤ 80 %
Tank capacity	90 l	90 l	200 l	200 l
Pressure range	5-7 bar	5-7 bar	5-7 bar	5-7 bar
Sound level	69 dB(A)	69 dB(A)	72 dB(A)	72 dB(A)
Sound level with cover	56 db(A)	56 dB(A)	-	-
Dimensions (H x W x D)	820 x 1100 x 630 mm	820 x 1100 x 600 mm	900 x 1450 x 820 mm	910 x 1100 x 600 mm
Dimensions with cover (H x W x D)	1020 x 1245 x 725 mm	1020 x 1245 x 725 mm	-	-
Weight	118 kg	113 kg	183 kg	173 kg
Weight with cover	220 kg	215 kg	-	-
Order no with cover	106000031	106000035	-	-

	META Air 900
Order no.	106000040
Power supply (V AC)	400 V
Frequency	50 Hz*
Electric motor power	10 kW
Delivery rate (5 bar) (5 bar)	780 l/min
Operating time	≤ 70 %
Tank capacity	270 l
Pressure range	5-7 bar
Sound level	75 dB(A)
Dimensions (H x W x D)	1030 x 1560 x 1000 mm
Weight	240 kg

\* available also with 60 Hz

# COMPRESSORS FOR CAD/CAM MILLING SYSTEMS

Conventional dental compressors within the standard pressure range of 5 to 7 bar are unable to satisfy the requirements of many dental milling machines. However, CAD/CAM milling systems require an operating pressure of up to 10 bar, in order to guarantee safety with a tool change for example. META CAM compressors have been designed specially for such systems, because they guarantee a pressure range of 8 to 10 bar. Equipped with membrane drying and a double filtering process, they ensure the supply of oil-free, dry and perfectly hygienic compressed air, which is decisive for the quality of the end products.



## High pressure range up to 10 bar

META CAM compressors operate within a pressure range of 8 to 10 bar.

## High quality components in the units

META CAM units are equipped with specific components, in order to counter the loads within the high pressure range.

## Optional sound proofing cover

The majority of META CAM compressors are optionally available with a sound proofing cover.

## The right choice

We are happy to assist you in choosing the right META CAM compressor for your specific milling or grinding machine. You can find further information at [www.metasys.com](http://www.metasys.com).

	META CAM 150	META CAM 250	META CAM 450	META CAM 650
Order no.	107000001	107000004   107000008	107000010	107000013
Power supply (V AC)	230 V	230 V   400 V	400 V	400 V
Frequency	50 Hz*	50 Hz*	50 Hz*	50 Hz*
Electric motor power	1,5 kW	2,2 kW	4,4 kW	6,6 kW
Delivery rate (5 bar) (5 bar)	152 l/min	225 l/min	450 l/min	
Delivery rate (5 bar)	103 l/min	148 l/min	296 l/min	440 l/min
Operating time	≤ 50 %	≤ 50 %	≤ 50 %	≤ 50 %
Tank capacity	40 l	40 l	90 l	200 l
Pressure range	8 - 10 bar	8 - 10 bar	8 - 10 bar	8 - 10 bar
Sound level	66 dB(A)	66 dB(A)	69 dB(A)	73 dB(A)
Sound level with cover	53 dB(A)	53 dB(A)	56 dB(A)	-
Dimensions (H x W x D)	770 x 710 x 410 mm	810 x 710 x 410 mm	820 x 1100 x 630 mm	850 x 1400 x 920 mm
Dimensions with cover (H x W x D)	890 x 720 x 490 mm	890 x 720 x 490 mm	1020 x 1245 x 725 mm	-
Weight	50 kg	58 kg	118 kg	193 kg
Weight with cover	98 kg	106 kg	220 kg	-
Order no with cover	107000002	107000005   107000009	107000011	-

\* available also with 60 Hz

A compressed air requirement assessment must be carried out prior to selecting a META CAM compressor or the selection must be validated in conjunction with the milling machine following installation.

# SERVICE AND MAINTENANCE

## Guarantee period

The guarantee period is 12 months. If the required yearly maintenance, the “1500 hours” or the “3000 hours” maintenance are performed, the guarantee period can be extended by 1 year, although by no more than 2 years in all. The maximum possible guarantee period is therefore 3 years.



## Maintenance intervals

Compulsory maintenance rates have to be met precisely. The following maintenance and inspections have to be done: yearly filter cartridge - exchange (“filter cartridge - exchange kit”), the 3000 or 1500 hours maintenance, depending on compressor versions. The required inspections have to be logged in the equipment logbook. METASYS reserves to himself the right to request those registrations to ascertain maintenance logs.

## Maintenance kits

on inquiry, also by email: [info@metasys.com](mailto:info@metasys.com) (Please provide the module number and serial number of the compressor to be serviced.)

### 3000 hours kit + valve block (complete)

- > META Air (from META Air 70),
- > META Air Light (from META Air 70 Light),
- > META CAM versions

### 1500 hours kit 24/30 + valve block (complete)

- > META Air 24/30

### Filter cartridge - exchange kit

- > All META Air, META Air Light, META CAM versions

## METASYS Covers

Different covers can be ordered for the respective META Air / META CAM versions. The noise level can be reduced to as little as 54 dB(A).